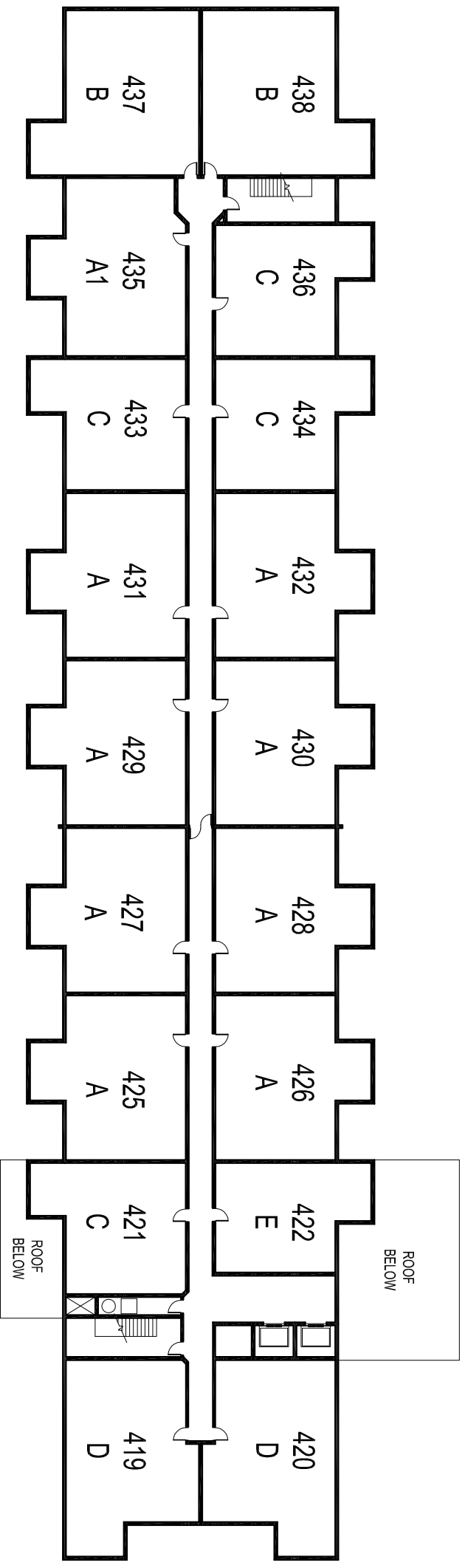
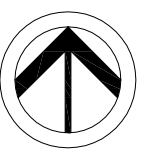




Friesen Tokar Architects + Landscape + Interior Designers

200 - 300 Waterfront Drive Winnipeg, Canada R3B 0G5 Tel. 204.385.9323 Fax. 204.387.7235

1 FOURTH FLOOR PLAN
A2.4 1:400



PROJECT TITLE

DRAWN BY

DRAWING

MG

DATE

A2.4

March 10, 2009

THE CORNERSTONE
SENIORS HOUSING PROJECT
A.R.C.I.A.

PROJECT NO.

06972